

SHBV Series

1,000 PSI Hexagonal Ball Valve

Size

I-LOK 1/8 & Bite type to 1" in OD/ 3mm to 25mm
Male Female Thread (NPT, PT, PF)

Applications

Instrumentation , Fluid Control, Compressed Air

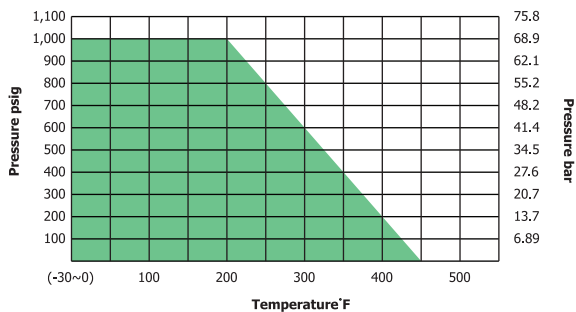
Material / Features

316L, Brass / Lever, Butterfly, Bar Handles

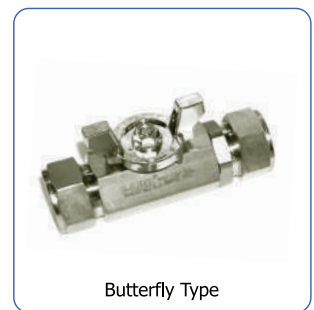
Specifications

Maximum Working Pressure : 1000psi(69bar) @70°F (21°C)
Temperature Working Range : 0°F to 450°F (-17°C to 232°C)

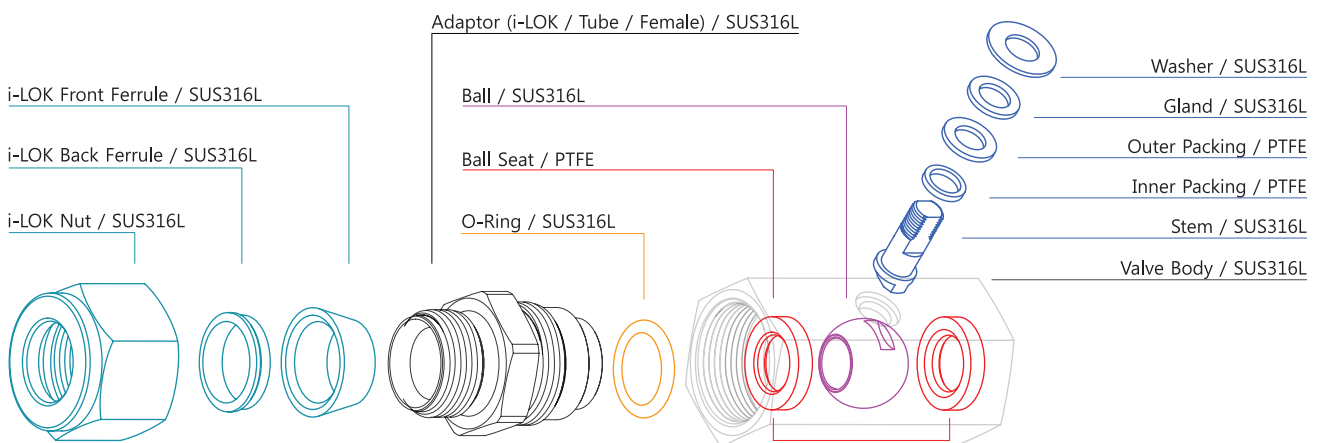
Pressure VS Temperature Graph



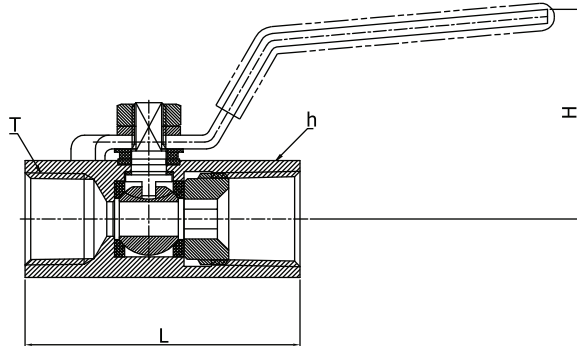
Handle Option



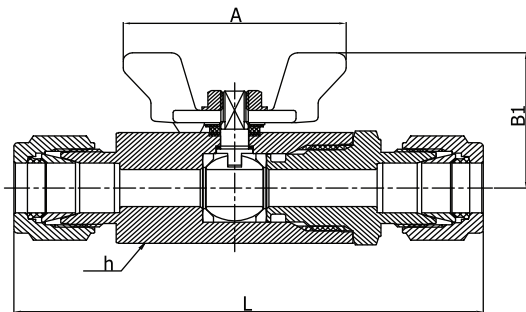
Material of Construction



Demension Information



(Lever Female Thread Type)



(Butterfly i-LOK type)

Ordering Number	End Connection	Cv	Orifice mm (in.)	Dimensions, mm (in.)				
				L	H	B1	hex	A
SHBV1	4T-SS	I-LOK 1/4 in.	5 (0.2)	79 (3.11)	31 (1.22)	26.5 (1.04)	17 (1-1/16)	59.5 (2.34)
	6M-SS	I-LOK 6 mm		79 (3.11)				
	F4N-SS	Female NPT 1/4 in		41.9 (1.65)				
SHBV2	6T-SS	I-LOK 3/8 in	2.5	90 (3.54)	40 (1.57)	32.5 (1.27)	20.64 (1-3/16)	81 (3.19)
	10M-SS	I-LOK 10 mm		90 (3.54)				
	F6N-SS	Female NPT 3/8 in		45 (1.77)				
SHBV3	8T-SS	I-LOK 1/2 in	9.25	98 (3.86)	42 (1.65)	35 (1.37)	27 (1-1/16)	81 (3.19)
	12M-SS	I-LOK 12 mm		98 (3.86)				
	F8N-SS	Female NPT 1/2 in		56.1 (2.21)				
SHBV4	10T-SS	I-LOK 5/8 in	12.5 (0.49)	108 (4.25)	51 (2.00)	37.5 (1.47)	32 (1-1/4)	102.5 (4.04)
	12T-SS	I-LOK 3/4 in		109 (4.29)				
	16M-SS	I-LOK 16 mm		108 (4.25)				
	F12N-SS	Female NPT 3/4 in		60 (2.36)				
SHBV5	16T-SS	I-LOK 1 in	17.35	133 (5.23)	55 (2.16)	44.5 (1.75)	38 (1-1/2)	102.5 (4.04)
	F16N-SS	Female NPT 1 in		78.1 (3.07)				

○ Dimensions are reference only, subject to change. Dimensions with I-LOK Tube Fittings are in finger-tight position.

Seat Information

PTFE Seat : 1000psig (69bar) at 38°C(100°F)

PEEK Seat : 1000psig(69bar) at 170°C(338°F)

TFM Seat : 2000psig(69bar) at 38°C(100°F)

Ordering Information

